




KRABY SYSTEM DROP DOWN

KRABY is an oil stay to open drop down doors. It has been conceived to be installed by using standard automatic drilling processes. It is available in three different lengths and with a universal "Zero" N strength, to suit any door dimension and weight. It boasts smooth and elegant movement to gently open the doors downwards. The opening angle adjustment can be carried out manually through the rotary knob, thus allowing to align nearby doors easily. The adjustment of the piston base plate within the "U" slot of the side bracket can change the door opening. KRABY grants a quick and easy installation, with no need to tension the strength. Directly installed on solid or wider aluminium frame doors and wide range of special adapters to suit small aluminium door profiles.

All the parts (stay excluded) are in zinc alloy nickel plated and plastic.

PATENTED
Certificates available on request. 

INSTALLATION

recommended fixing countersunk head wood screws $\varnothing 3,5 \times 16$ mm or Euro thread screws

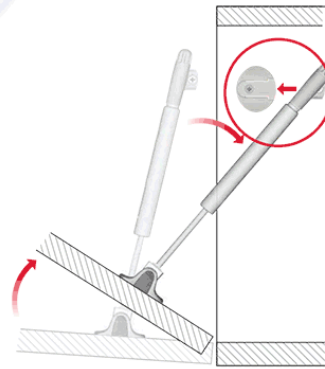
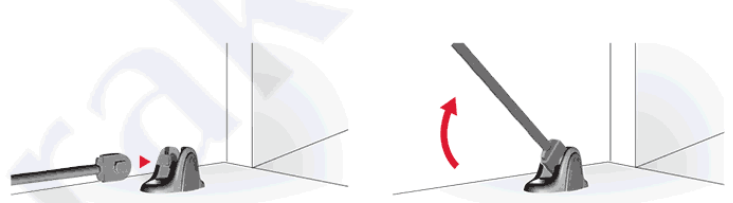
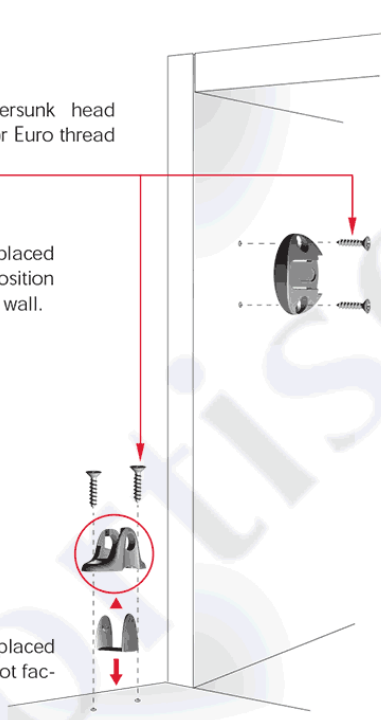
VERY IMPORTANT

The side bracket has to be placed with the slot in horizontal position and the open end facing the wall.

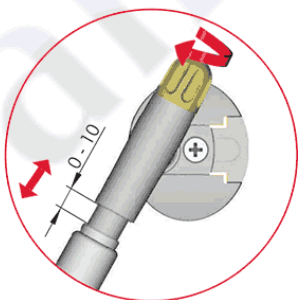


VERY IMPORTANT

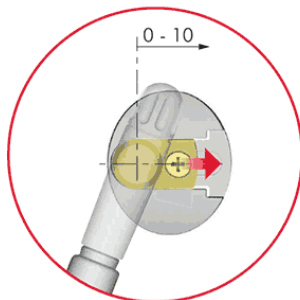
The door bracket has to be placed in vertical position with the slot facing forwards.



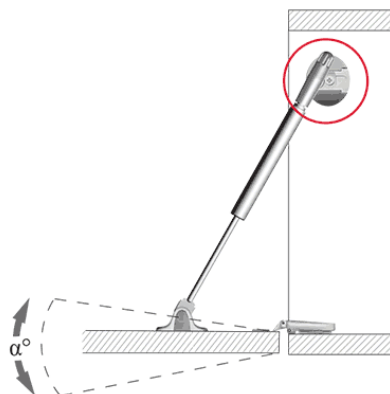
ADJUSTMENTS



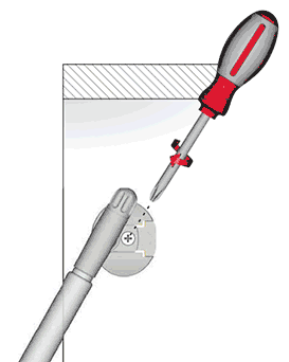
INCREASE OPENING ANGLE
Rotate the rotary knob.



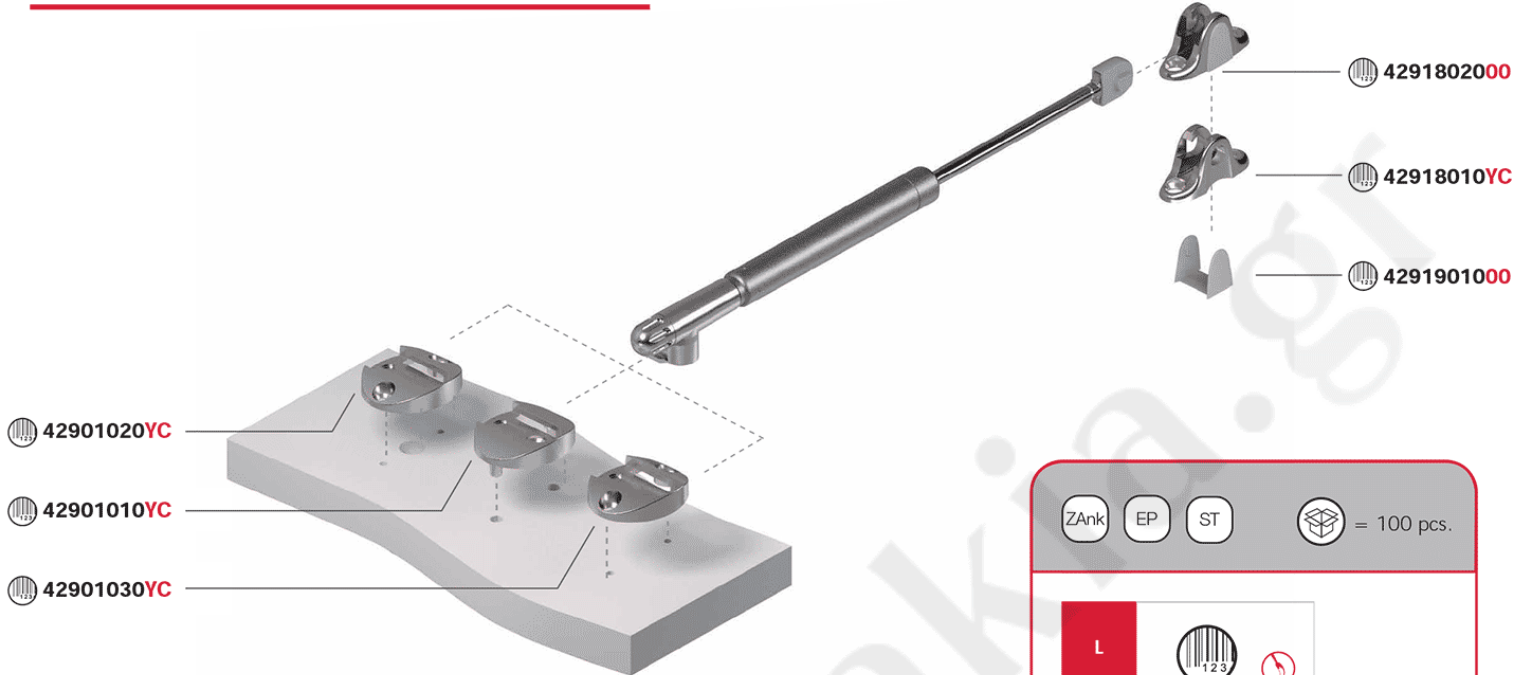
REDUCE OPENING ANGLE
Move forward and backward the piston base plate in the bracket slot.



LOCKING

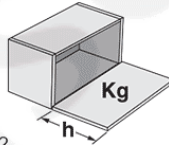


DROP DOWN



ZAnk	EP	ST	= 100 pcs.
L			
164	42201010UZ		
244	42210010UZ		
355	42230010UZ		

Number of stays chart - L 164 mm



Rev. 02

h	Door weight (Kg)					
	1	2	3	4	5	6
200 - 284	2 x Kraby		3 x Kraby		4 x Kraby	

Number of stays chart - L 244 mm

Rev. 02

h	Door weight (Kg)												
	1	2	3	4	5	6	7	8	9	10	11	12	13
280 - 324	2 x Kraby						3 x Kraby				4 x Kraby		
325 - 424	2 x Kraby						3 x Kraby				4 x Kraby		
425 - 500	2 x Kraby						3 x Kraby				4 x Kraby		

Number of stays chart - L 355 mm

Rev. 02

h	Door weight (Kg)												
	1	2	3	4	5	6	7	8	9	10	11	12	13
380 - 500	2 x Kraby										3 x Kraby		
501 - 600	2 x Kraby										3 x Kraby		

These are experimental results to be checked by the customer. In accordance with the actual European regulation, we suggest to use at least two stays for each door. Our technical department is at your disposal to test further cases out of this chart.



DROP DOWN DRILLING PLANS WITH KIMANA HINGE

KRABY CONFIGURATOR:

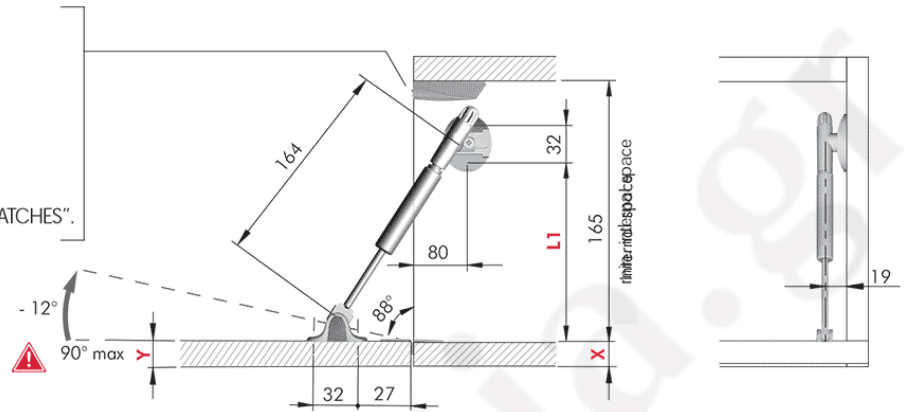


L 164 mm

- Magnet K Lock
visible or invisible
- K Push Tech 20 mm
- With magnet
- Visible or invisible

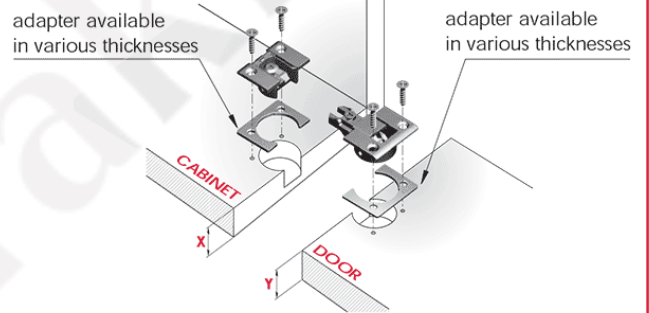
For details refer to section
"PUSH CATCHES & MAGNETIC CATCHES".

Overcrossing 90° door opening
angle, it negatively effects the
Kimana hinges. 90° max



Cabinet (X)		Door (Y)		L1
16 mm	4 mm	16 mm	2 mm	117
16 mm	4 mm	19 mm	-	119
18 mm	2 mm	18 mm	-	117
19 mm	-	16 mm	2 mm	113
19 mm	-	19 mm	-	115
20 mm	-	20 mm	-	115

For Kimana and adapter details refer to section "HINGES".

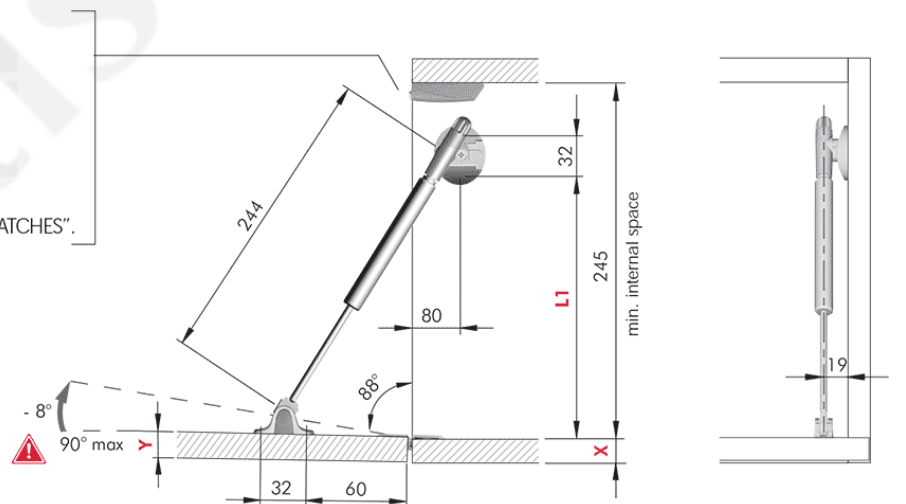


L 244 mm

- Magnet K Lock
visible or invisible
- K Push Tech 20 mm
- With magnet
- Visible or invisible

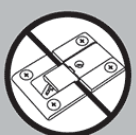
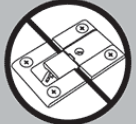
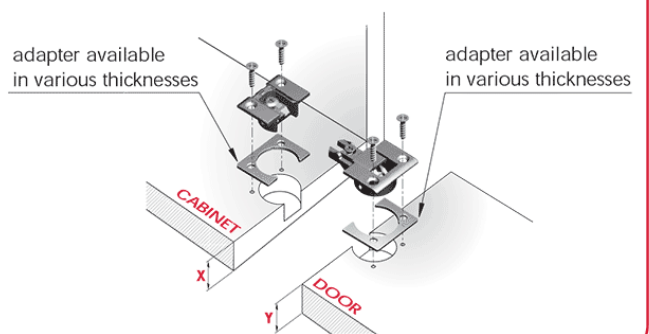
For details refer to section
"PUSH CATCHES & MAGNETIC CATCHES".

Overcrossing 90° door opening
angle, it negatively effects the
Kimana hinges. 90° max



Cabinet (X)		Door (Y)		L1
16 mm	4 mm	16 mm	2 mm	197
16 mm	4 mm	19 mm	-	199
18 mm	2 mm	18 mm	-	197
19 mm	-	16 mm	2 mm	193
19 mm	-	19 mm	-	195
20 mm	-	20 mm	-	195

For Kimana and adapter details refer to section "HINGES".



L 355 mm

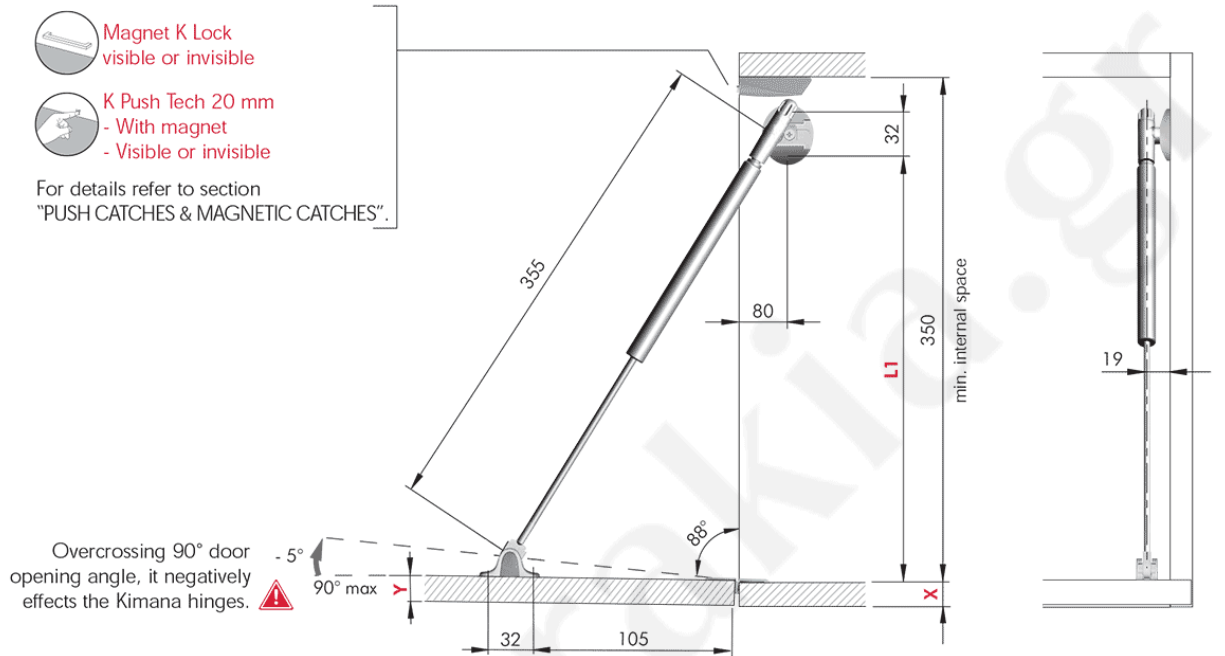


Magnet K Lock
visible or invisible



K Push Tech 20 mm
- With magnet
- Visible or invisible

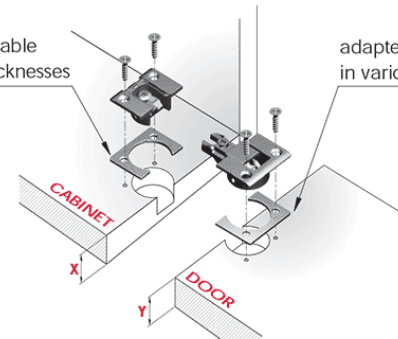
For details refer to section "PUSH CATCHES & MAGNETIC CATCHES".



Cabinet (X)		Door (Y)		L1
16 mm	4 mm	16 mm	2 mm	302
16 mm	4 mm	19 mm	-	304
18 mm	2 mm	18 mm	-	302
19 mm	-	16 mm	2 mm	298
19 mm	-	19 mm	-	300
20 mm	-	20 mm	-	300

For Kimana and adapter details refer to section "HINGES".

adapter available in various thicknesses

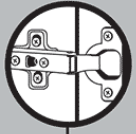


adapter available in various thicknesses

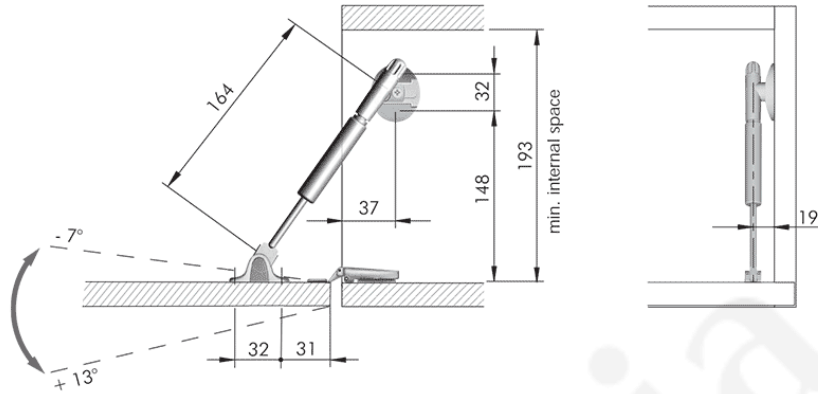


DROP DOWN DRILLING PLANS WITH STANDARD HINGES OPENING WITH HANDLE

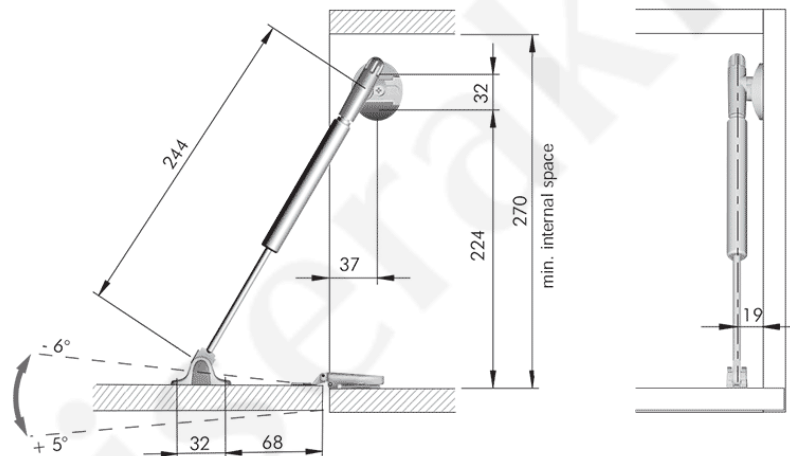
KRABY CONFIGURATOR:



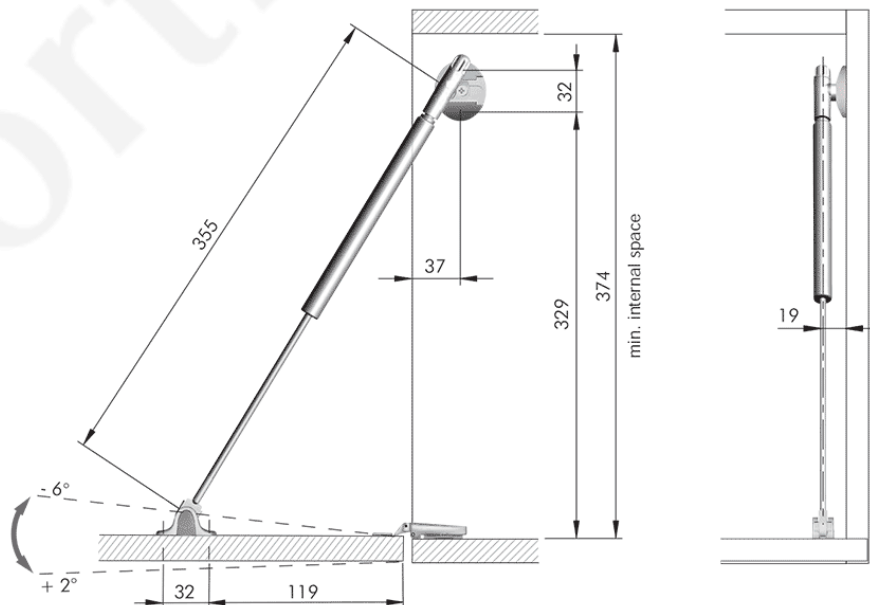
L 164 mm



L 244 mm



L 355 mm



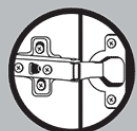
The dimensions of the drilling plans refer to carcasses which use **standard sprung hinges** and mounting plates 0 mm. Please note that the opening angle shown data is purely indicative. It varies with respect to the hinge brand and adjustment carried out.



Please note that in case of use of **unsprung hinges**, **magnet K Lock** is required. For details refer to section "PUSH CATCHES & MAGNETIC CATCHES".

DROP DOWN DRILLING PLANS WITH STANDARD HINGES PUSH TO OPEN

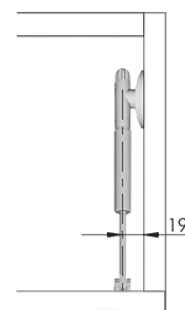
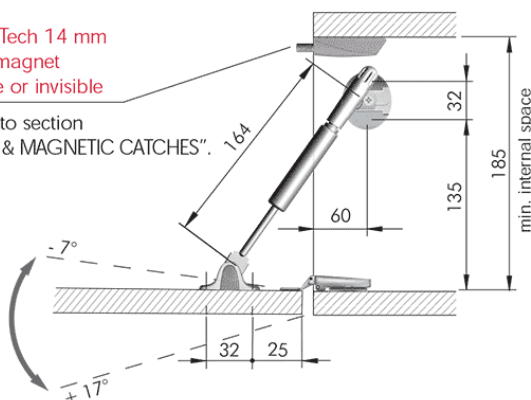
KRABY CONFIGURATOR:



L 164 mm

K Push Tech 14 mm
- With magnet
- Visible or invisible

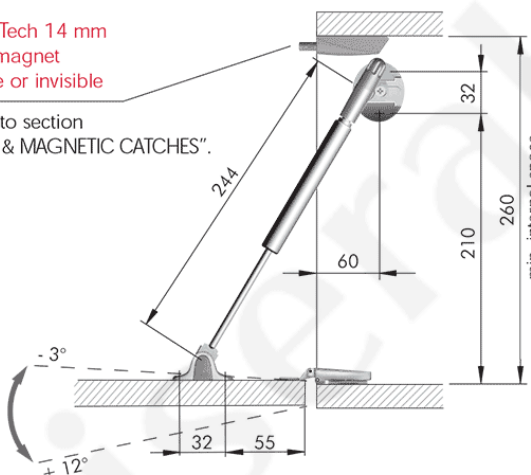
For details refer to section
"PUSH CATCHES & MAGNETIC CATCHES".



L 244 mm

K Push Tech 14 mm
- With magnet
- Visible or invisible

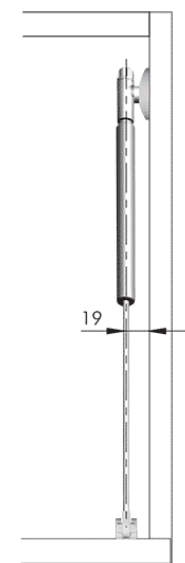
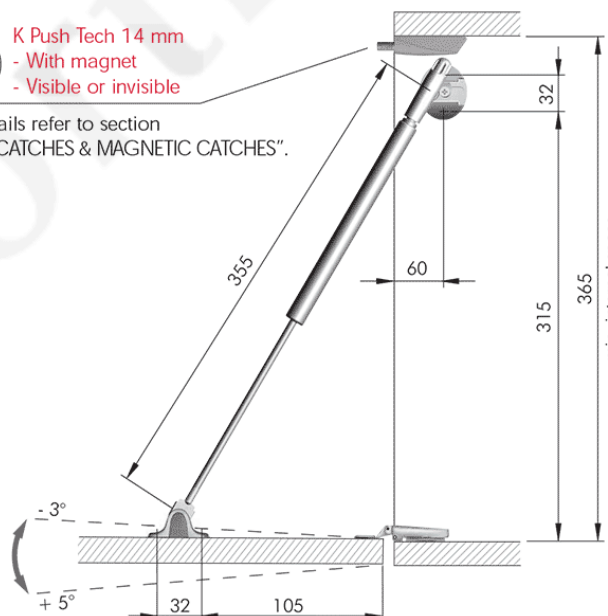
For details refer to section
"PUSH CATCHES & MAGNETIC CATCHES".



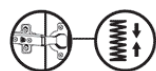
L 355 mm

K Push Tech 14 mm
- With magnet
- Visible or invisible

For details refer to section
"PUSH CATCHES & MAGNETIC CATCHES".



The dimensions of the drilling plan refer to carcasses which use **standard unsprung hinges** and mounting plates 0 mm. Please note that min and max opening angle shown data is purely indicative. It varies with respect to the hinge brand and adjustment carried out.



Please note that utilization with **standard sprung hinges** and **K Push Tech with buffer** is also possible. In such case, after the door is initially released by K Push Tech, a manual opening approx. 7cm is required (in order to win the spring resistance). Consequently, the door will automatically open to the fullest. For details refer to section "PUSH CATCHES & MAGNETIC CATCHES".



KRABY CONFIGURATOR:




DROP DOWN DRILLING PLANS WITH FLAP HINGE

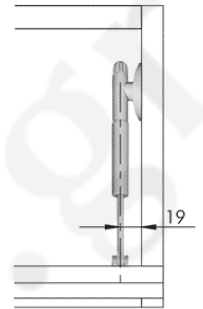
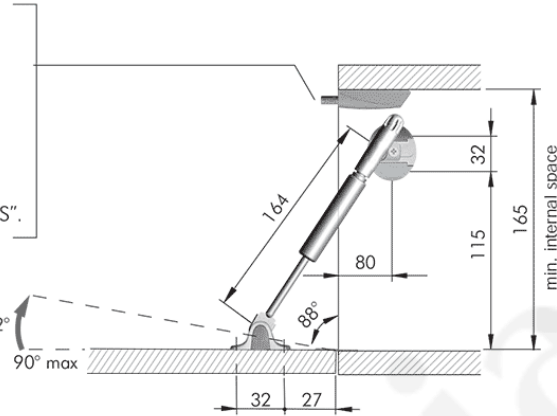
L 164 mm

 Magnet K Lock
visible or invisible

 K Push Tech 20 mm
- With magnet
- Visible or invisible

For details refer to section
"PUSH CATCHES & MAGNETIC CATCHES".

Overcrossing 90° door opening
angle, it negatively effects the
flap hinges. 




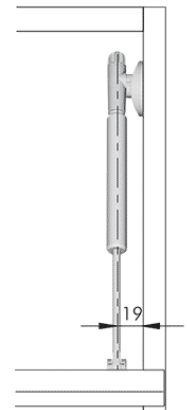
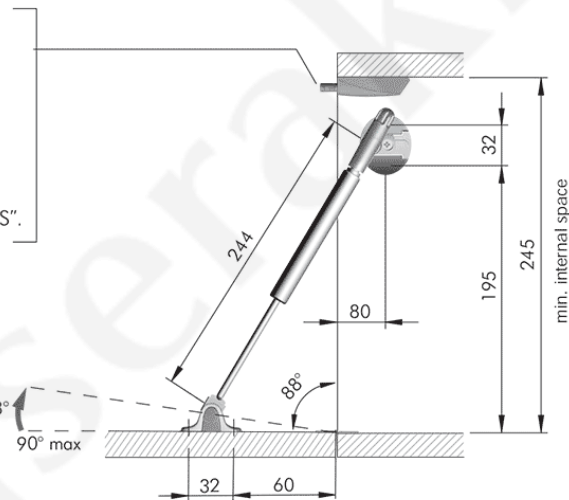
L 244 mm

 Magnet K Lock
visible or invisible

 K Push Tech 20 mm
- With magnet
- Visible or invisible

For details refer to section
"PUSH CATCHES & MAGNETIC CATCHES".

Overcrossing 90° door opening
angle, it negatively effects the
flap hinges. 



L 355 mm

 Magnet K Lock
visible or invisible

 K Push Tech 20 mm
- With magnet
- Visible or invisible

For details refer to section
"PUSH CATCHES & MAGNETIC CATCHES".

Overcrossing 90°
door opening
angle, it negatively effects the
flap hinges. 