

## K12 SYSTEM DROP DOWN

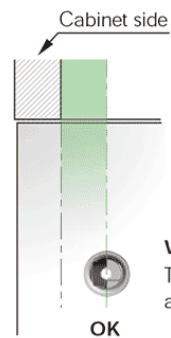


REGISTERED DESIGN  
Certificates available on request.



### BRACKET Ø15 INSTALLATION

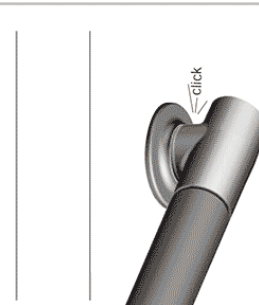
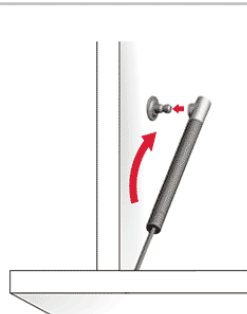
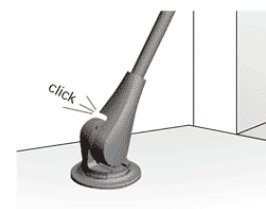
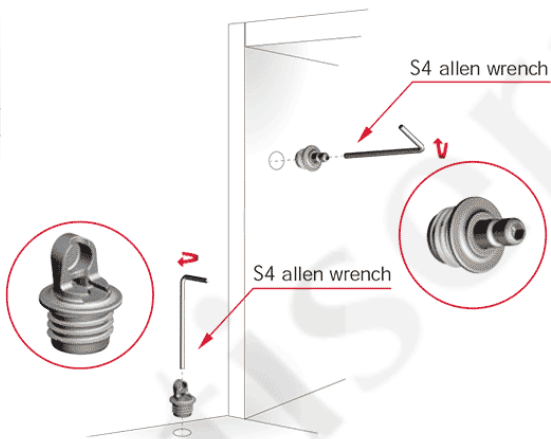
- For details refer to "K12 SYSTEM BRACKETS".



#### VERY IMPORTANT

The door bracket has to be aligned with the cabinet side.

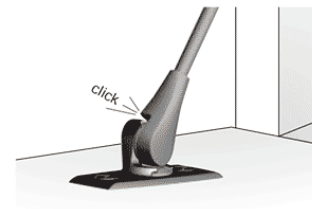
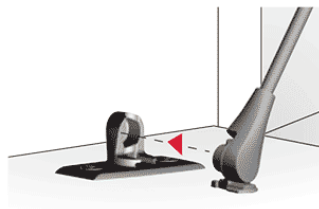
OK



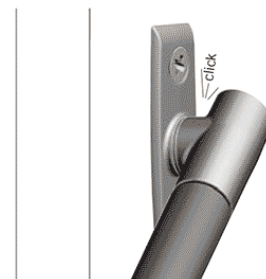
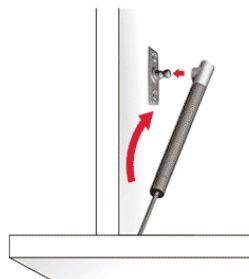
### SCREW FIXING BRACKETS INSTALLATION

- For details refer to "K12 SYSTEM BRACKETS".

recommended fixing countersunk head wood screws Ø3,5x16 mm

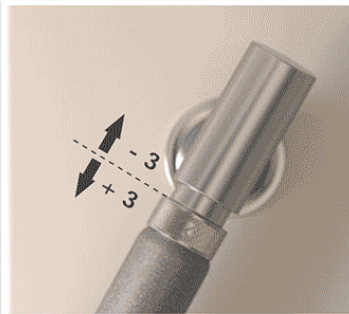


recommended fixing countersunk head wood screws Ø3,5x16 mm





**K12 SYSTEM ADJ DROP DOWN**

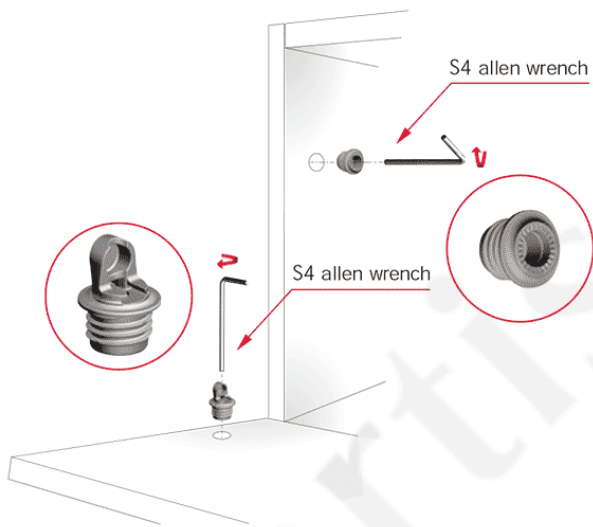


Certificates available on request.

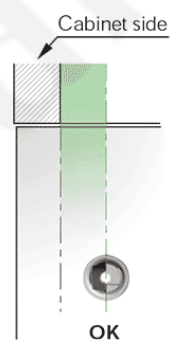
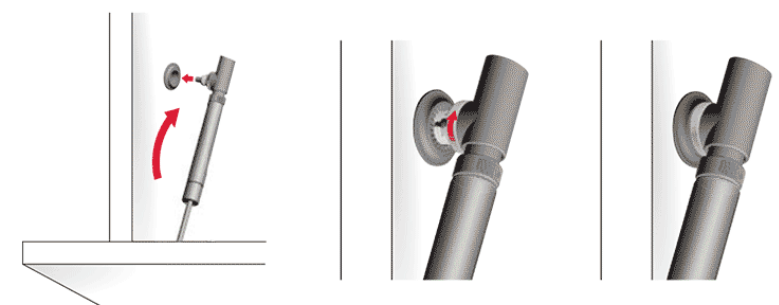


**BRACKET Ø15 INSTALLATION**

- For details refer to "K12 SYSTEM ADJ BRACKETS".

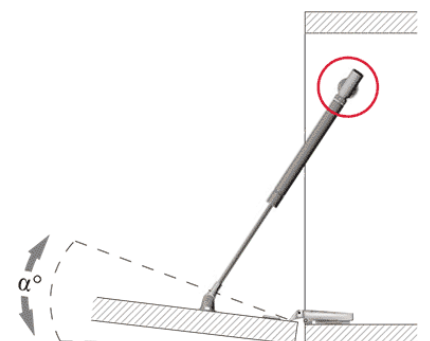
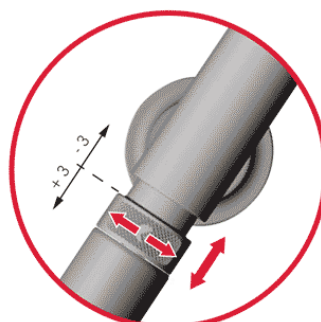


**LOCKING:** Rotate the plastic knob.

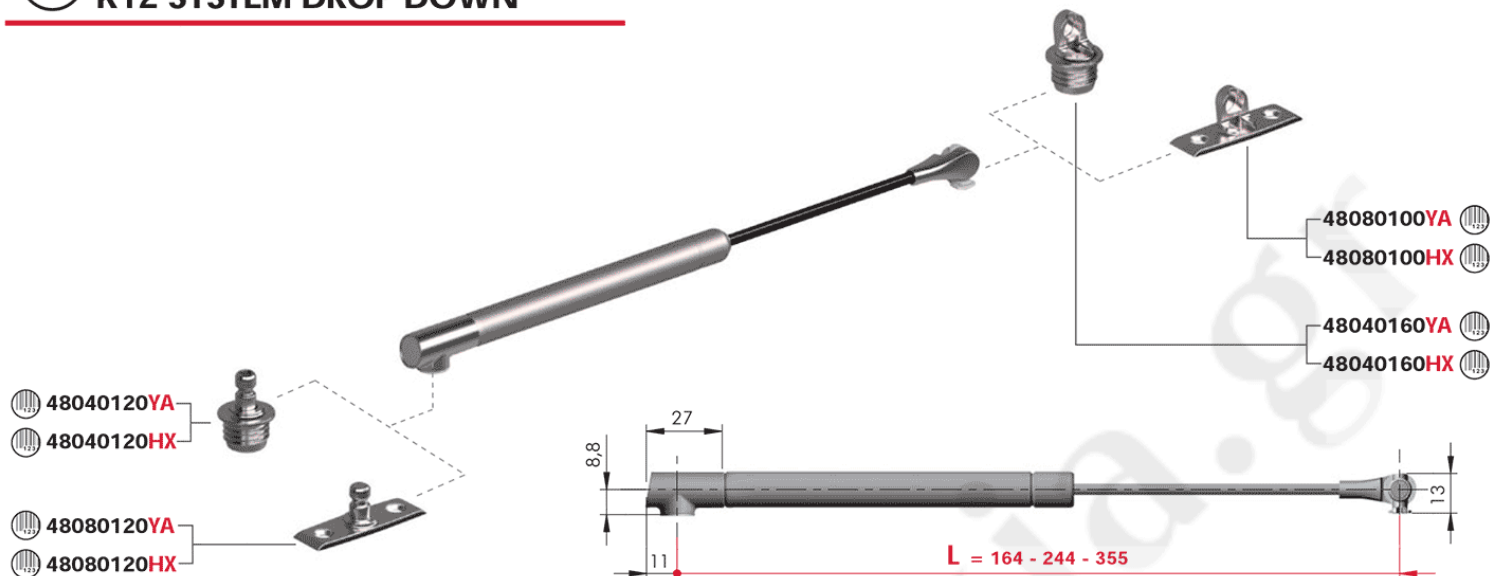


**VERY IMPORTANT**  
The door bracket has to be aligned with the cabinet side.

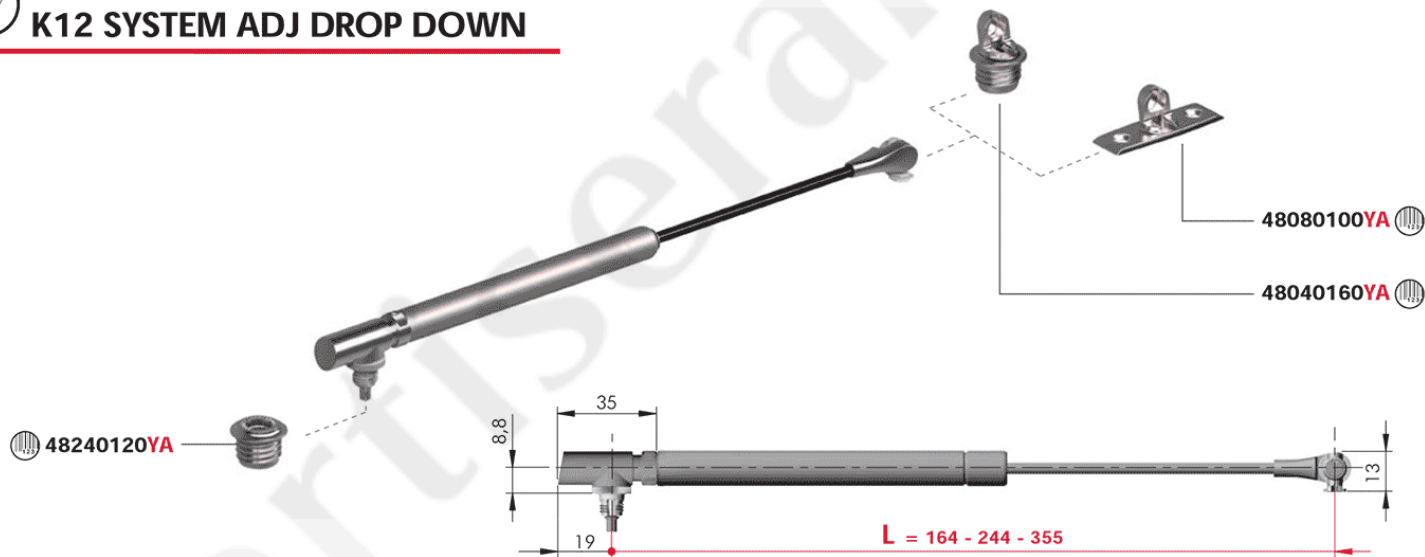
**ADJUSTMENT**



## K12 SYSTEM DROP DOWN



## K12 SYSTEM ADJ DROP DOWN



ZA EP ST

= 100 pcs. for L. 164 mm  
50 pcs. for L. 244 and 355 mm

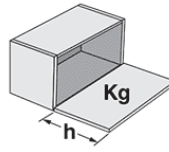
L	K12 SYSTEM	K12 SYSTEM ADJ
164	48050200UZ	48250200UZ
244	48060200UZ	48260200UZ
355	48070200UZ	48270200UZ

+ Part.no + HX

+ Part.no + HX = K12 System with end parts in graphite finish are available on request.



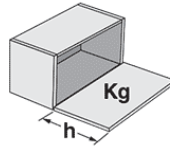
## Number of stays chart - L 164 mm



Rev. 02

h	Door weight (Kg)					
	1	2	3	4	5	6
200 - 224	1 x K12		2 x K12			
225 - 274	1 x K12		2 x K12			3 x K12
275 - 300	1 x K12		2 x K12		3 x K12	

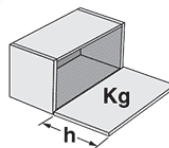
## Number of stays chart - L 244 mm



Rev. 02

h	Door weight (Kg)												
	1	2	3	4	5	6	7	8	9	10	11	12	13
290 - 324	1 x K12			2 x K12					3 x K12				4 x K12
325 - 374	1 x K12		2 x K12					3 x K12			4 x K12		
375 - 424	1 x K12		2 x K12			3 x K12				4 x K12			
425 - 474	1 x K12		2 x K12		3 x K12			4 x K12			-		
475 - 500	1 x K12		2 x K12		3 x K12		4 x K12			-			

## Number of stays chart - L 355 mm



Rev. 02

h	Door weight (Kg)												
	1	2	3	4	5	6	7	8	9	10	11	12	13
390 - 424	-		1 x K12			2 x K12					3 x K12		
425 - 474	-		1 x K12			2 x K12				3 x K12			
475 - 524	-		1 x K12			2 x K12				3 x K12			
525 - 574	-		1 x K12		2 x K12			3 x K12					
575 - 600	1 x K12			2 x K12			3 x K12				4 x K12		

These are experimental results to be checked by the customer. **In accordance with the actual European regulation, we suggest to use at least two stays for each door.** Our technical department is at your disposal to test further cases out of this chart.



K12 SYSTEM CONFIGURATOR:



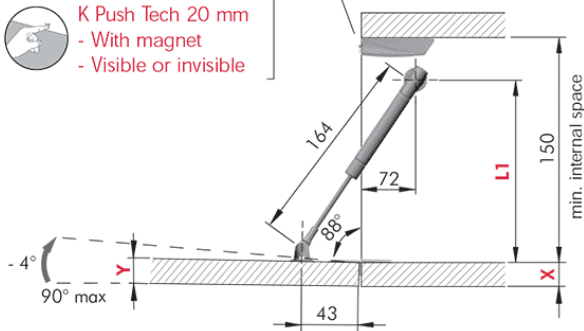
## DROP DOWN DRILLING PLANS WITH KIMANA HINGE

### L 164 mm

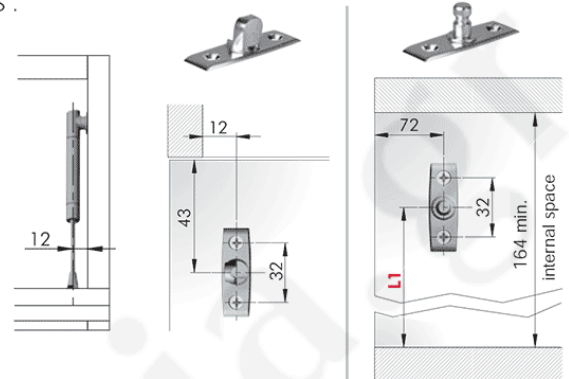
Magnet K Lock visible or invisible

K Push Tech 20 mm - With magnet - Visible or invisible

For details refer to section "PUSH CATCHES & MAGNETIC CATCHES".



### SCREW FIXING BRACKETS:



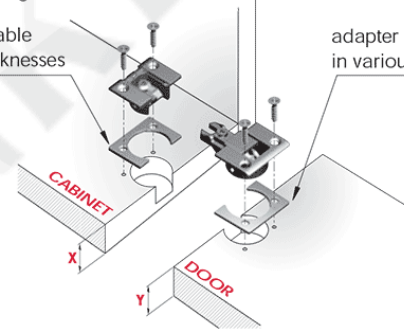
Bracket not available for K12 SYSTEM ADJ

Opening angle adjustment is possible only with K12 SYSTEM ADJ version.

Overcrossing 90° door opening angle, it negatively effects the Kimana hinges.

Cabinet (X)		Door (Y)		L1
16 mm	4 mm	16 mm	2 mm	129
16 mm	4 mm	19 mm	-	131
18 mm	2 mm	18 mm	-	129
19 mm	-	16 mm	2 mm	125
19 mm	-	19 mm	-	127
20 mm	-	20 mm	-	127

adapter available in various thicknesses



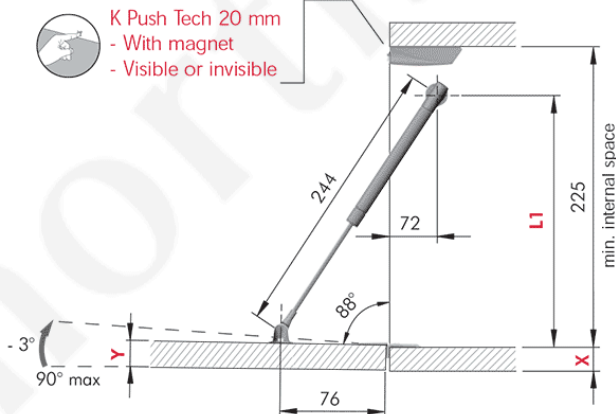
adapter available in various thicknesses

### L 244 mm

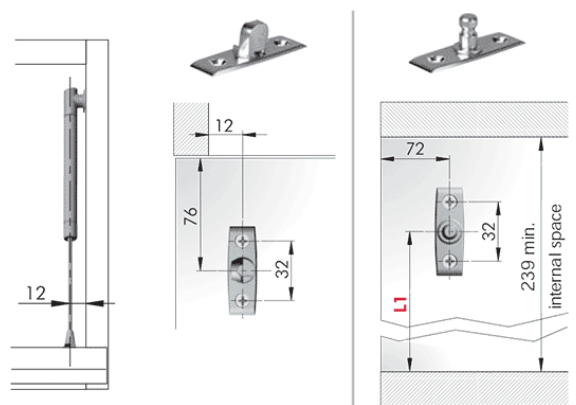
Magnet K Lock visible or invisible

K Push Tech 20 mm - With magnet - Visible or invisible

For details refer to section "PUSH CATCHES & MAGNETIC CATCHES".



### SCREW FIXING BRACKETS:



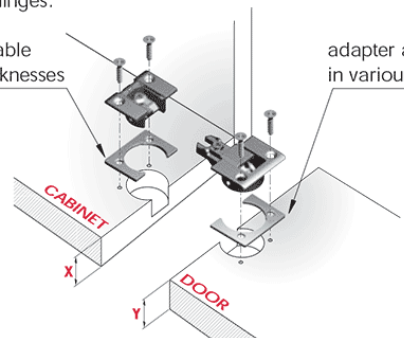
Bracket not available for K12 SYSTEM ADJ

Opening angle adjustment is possible only with K12 SYSTEM ADJ version.

Overcrossing 90° door opening angle, it negatively effects the Kimana hinges.

Cabinet (X)		Door (Y)		L1
16 mm	4 mm	16 mm	2 mm	208
16 mm	4 mm	19 mm	-	210
18 mm	2 mm	18 mm	-	208
19 mm	-	16 mm	2 mm	204
19 mm	-	19 mm	-	206
20 mm	-	20 mm	-	206

adapter available in various thicknesses



adapter available in various thicknesses

For Kimana and adapter details refer to section "HINGES".



L 355 mm

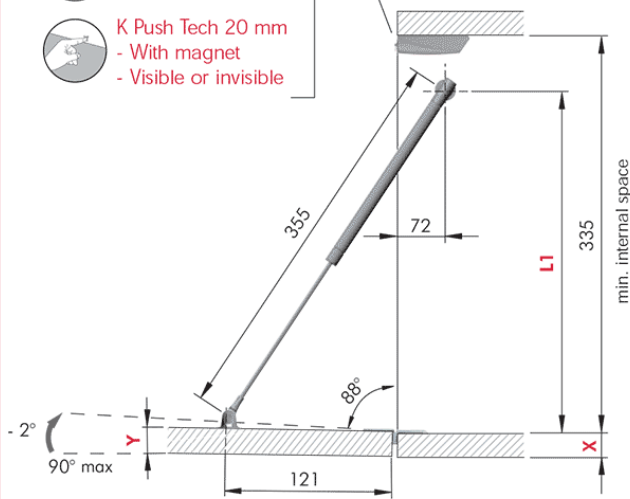


Magnet K Lock  
visible or invisible

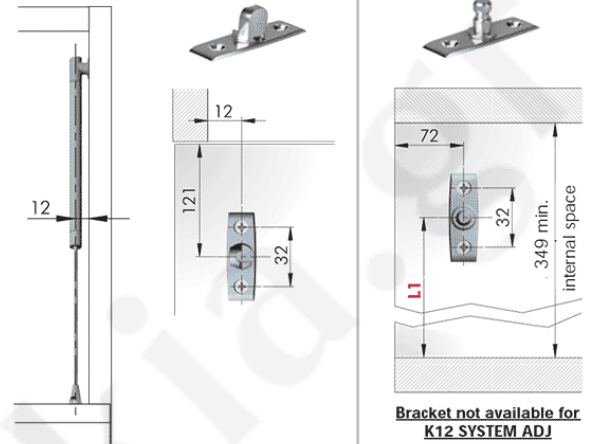


K Push Tech 20 mm  
- With magnet  
- Visible or invisible

For details refer to section "PUSH CATCHES & MAGNETIC CATCHES".



**SCREW FIXING BRACKETS:**

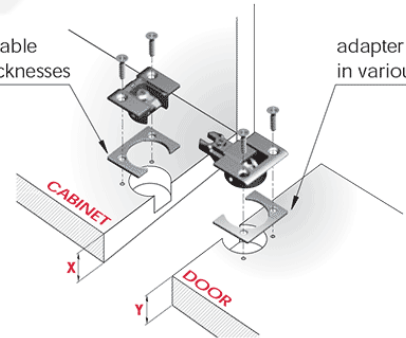


**Opening angle adjustment** is possible only with K12 SYSTEM ADJ version.

⚠ Overcrossing 90° door opening angle, it negatively effects the Kimana hinges.

Cabinet (X)		Door (Y)		L1
16 mm	4 mm	16 mm	2 mm	314
16 mm	4 mm	19 mm	-	316
18 mm	2 mm	18 mm	-	314
19 mm	-	16 mm	2 mm	310
19 mm	-	19 mm	-	312
20 mm	-	20 mm	-	312

adapter available in various thicknesses

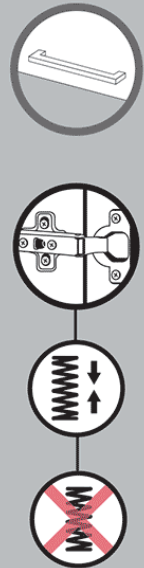


adapter available in various thicknesses

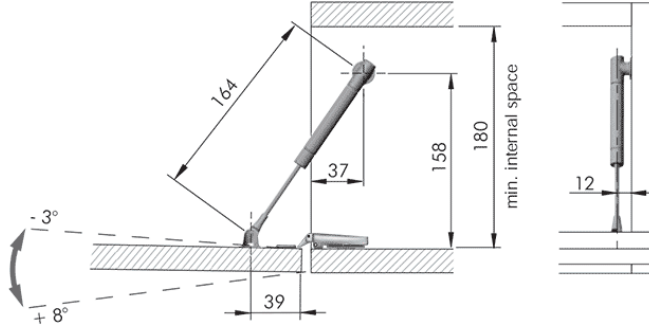
For Kimana and adapter details refer to section "HINGES".

## DROP DOWN DRILLING PLANS WITH STANDARD HINGES OPENING WITH HANDLE

K12 SYSTEM CONFIGURATOR:

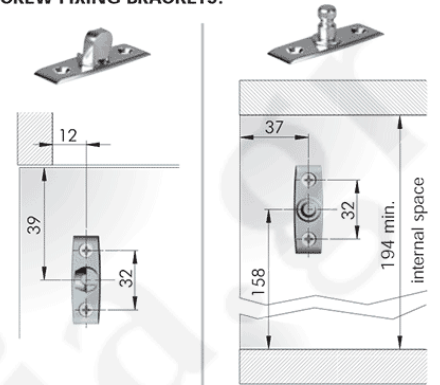


L 164 mm



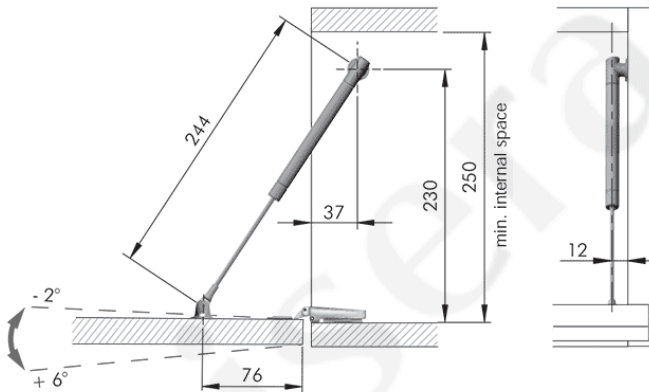
Opening angle adjustment is possible only with K12 SYSTEM ADJ version.

SCREW FIXING BRACKETS:



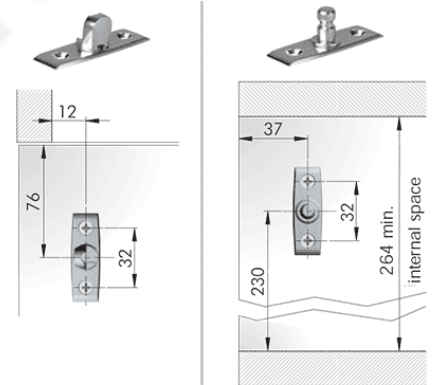
Bracket not available for K12 SYSTEM ADJ

L 244 mm



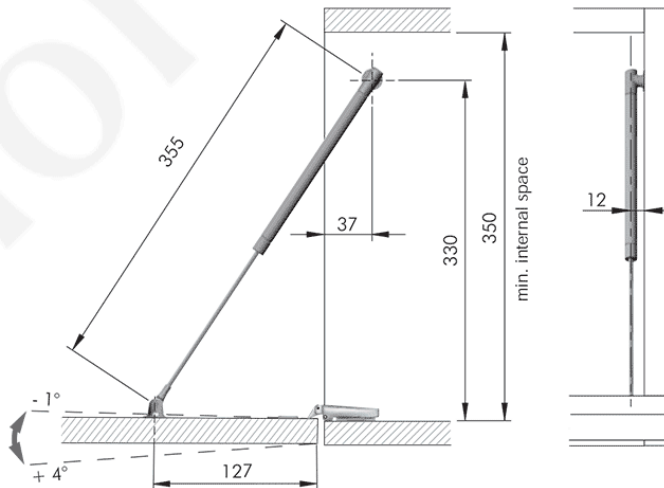
Opening angle adjustment is possible only with K12 SYSTEM ADJ version.

SCREW FIXING BRACKETS:



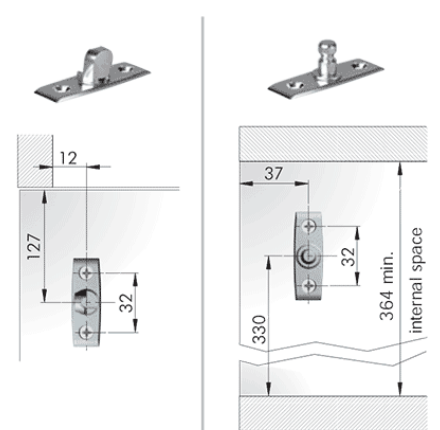
Bracket not available for K12 SYSTEM ADJ

L 355 mm



Opening angle adjustment is possible only with K12 SYSTEM ADJ version.

SCREW FIXING BRACKETS:



Bracket not available for K12 SYSTEM ADJ

The dimensions of the drilling plans refer to carcasses which use **standard sprung hinges** and mounting plates 0 mm. Please note that the opening angle varies with respect to the hinge brand and adjustment carried out.



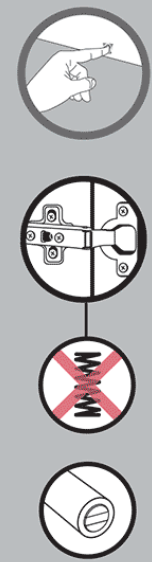
Please note that in case of use of **unsprung hinges**, magnet **K Lock** is required. For details refer to section "PUSH CATCHES & MAGNETIC CATCHES".





## DROP DOWN DRILLING PLANS WITH STANDARD HINGES PUSH TO OPEN

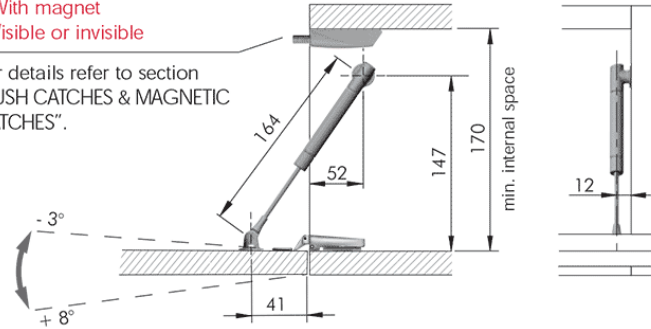
K12 SYSTEM CONFIGURATOR:



### L 164 mm

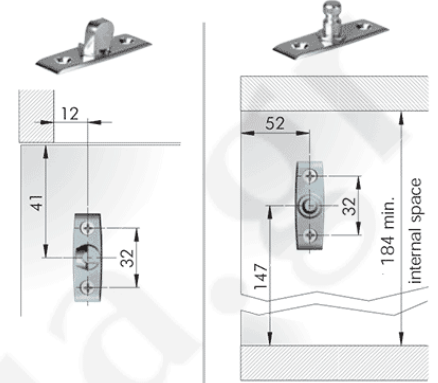
K Push Tech 14 mm  
- With magnet  
- Visible or invisible

For details refer to section "PUSH CATCHES & MAGNETIC CATCHES".



Opening angle adjustment is possible only with K12 SYSTEM ADJ version.

### SCREW FIXING BRACKETS:

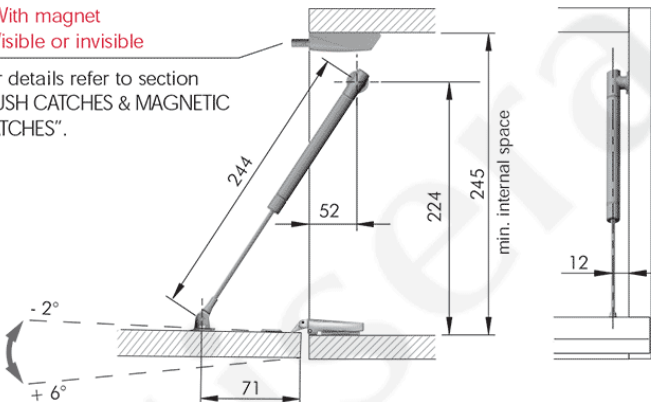


**Bracket not available for K12 SYSTEM ADJ**

### L 244 mm

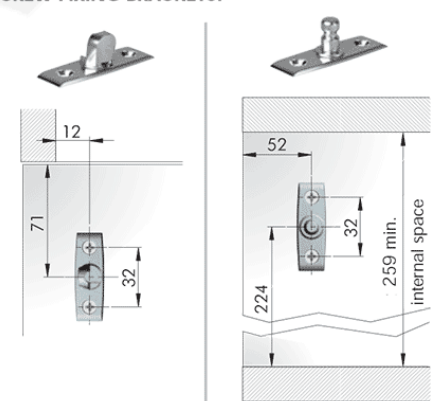
K Push Tech 14 mm  
- With magnet  
- Visible or invisible

For details refer to section "PUSH CATCHES & MAGNETIC CATCHES".



Opening angle adjustment is possible only with K12 SYSTEM ADJ version.

### SCREW FIXING BRACKETS:

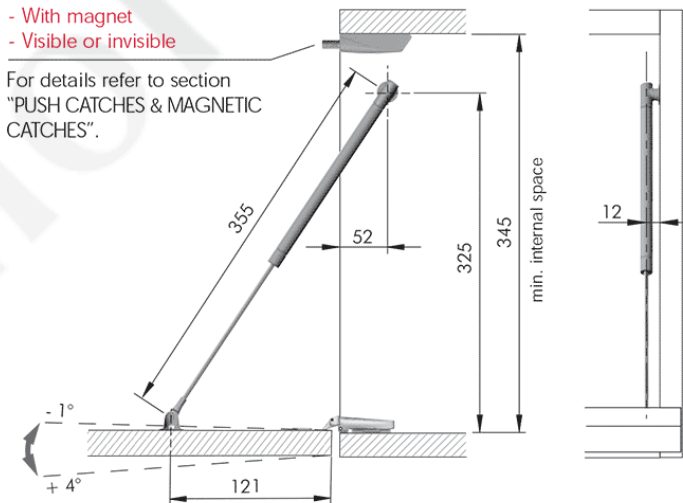


**Bracket not available for K12 SYSTEM ADJ**

### L 355 mm

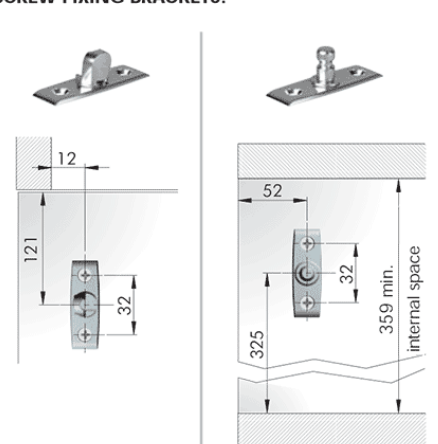
K Push Tech 14 mm  
- With magnet  
- Visible or invisible

For details refer to section "PUSH CATCHES & MAGNETIC CATCHES".



Opening angle adjustment is possible only with K12 SYSTEM ADJ version.

### SCREW FIXING BRACKETS:



**Bracket not available for K12 SYSTEM ADJ**

The dimensions of the drilling plan refer to carcasses which use **standard unsprung hinges** and mounting plates 0 mm. Please note that the opening angle varies with respect to the hinge brand and adjustment carried out.



Please note that utilization with **standard sprung hinges** and **K Push Tech with buffer** is also possible. In such case, after the door is initially released by K Push Tech, a manual opening approx. 7cm is required (in order to win the spring resistance). Consequently, the door will automatically open to the fullest. For details refer to section "PUSH CATCHES & MAGNETIC CATCHES".



## DROP DOWN DRILLING PLANS WITH FLAP HINGE

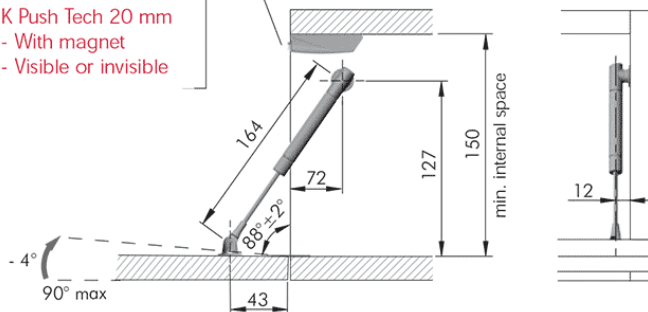
K12 SYSTEM CONFIGURATOR:



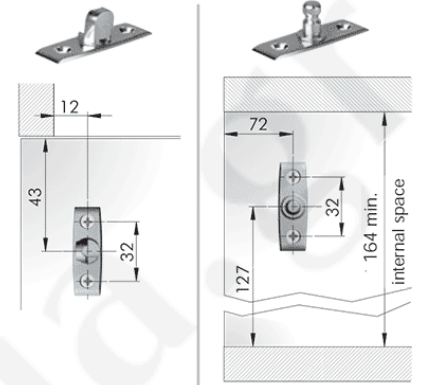
### L 164 mm

- Magnet K Lock visible or invisible
- K Push Tech 20 mm - With magnet - Visible or invisible

For details refer to section "PUSH CATCHES & MAGNETIC CATCHES".



#### SCREW FIXING BRACKETS:



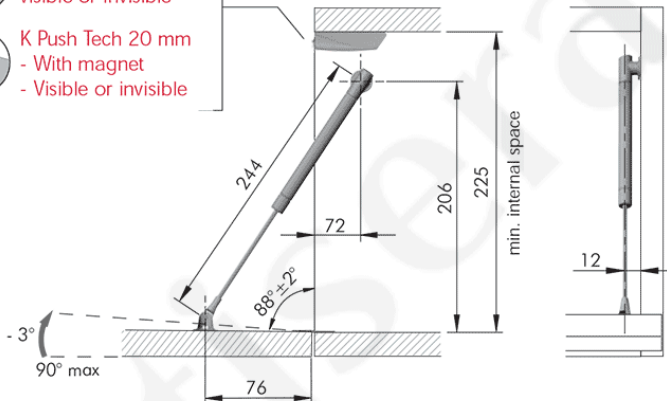
Bracket not available for K12 SYSTEM ADJ

Opening angle adjustment is possible only with K12 SYSTEM ADJ version.  
 ⚠ Overcrossing 90° door opening angle, it negatively effects the flap hinges.

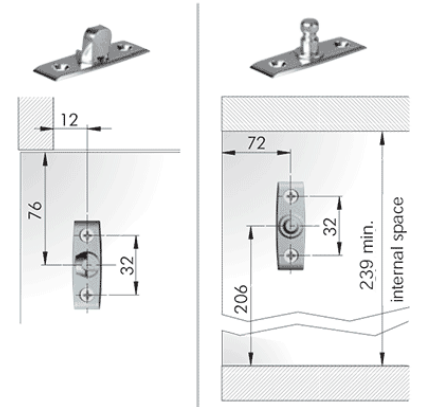
### L 244 mm

- Magnet K Lock visible or invisible
- K Push Tech 20 mm - With magnet - Visible or invisible

For details refer to section "PUSH CATCHES & MAGNETIC CATCHES".



#### SCREW FIXING BRACKETS:



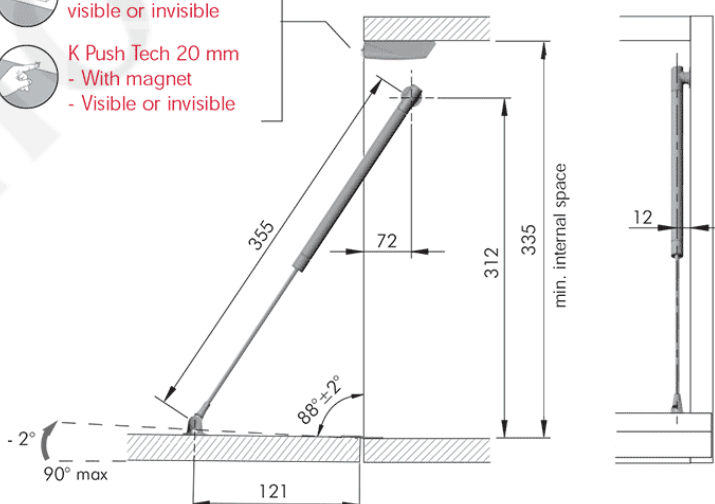
Bracket not available for K12 SYSTEM ADJ

Opening angle adjustment is possible only with K12 SYSTEM ADJ version.  
 ⚠ Overcrossing 90° door opening angle, it negatively effects the flap hinges.

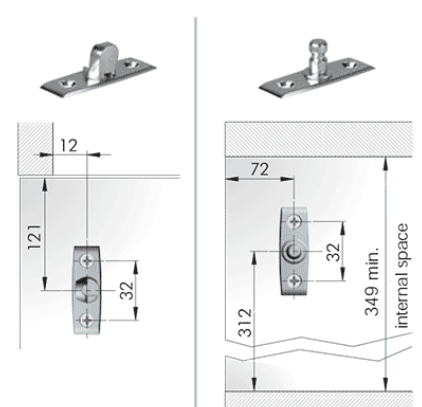
### L 355 mm

- Magnet K Lock visible or invisible
- K Push Tech 20 mm - With magnet - Visible or invisible

For details refer to section "PUSH CATCHES & MAGNETIC CATCHES".



#### SCREW FIXING BRACKETS:



Bracket not available for K12 SYSTEM ADJ

Opening angle adjustment is possible only with K12 SYSTEM ADJ version.  
 ⚠ Overcrossing 90° door opening angle, it negatively effects the flap hinges.