




COMPACT SYSTEM DROP DOWN

COMPACT is a gas and oil stay to open drop down doors. It has been conceived to be installed by using standard automatic drilling processes. It is available in three different lengths and with a universal "Zero" N strength, to suit any door dimension and weight. It boasts smooth and elegant movement to gently open the doors downwards.

COMPACT grants a quick and easy installation to be carried out manually, with no need to tension the strength. Directly installed on solid or wider aluminium frame doors and wide range of special adapters to suit small aluminium door profiles. All the parts (stay excluded) are in zinc alloy nickel plated and plastic.

PATENTED 
Certificates available on request.

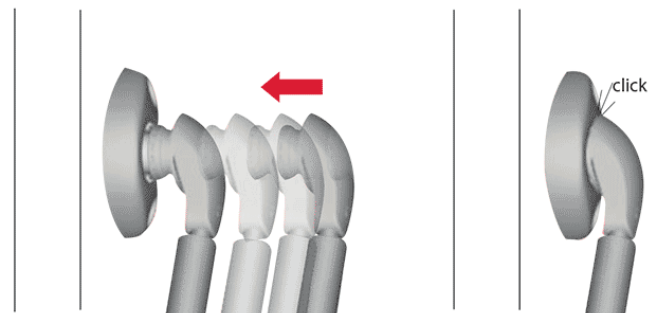
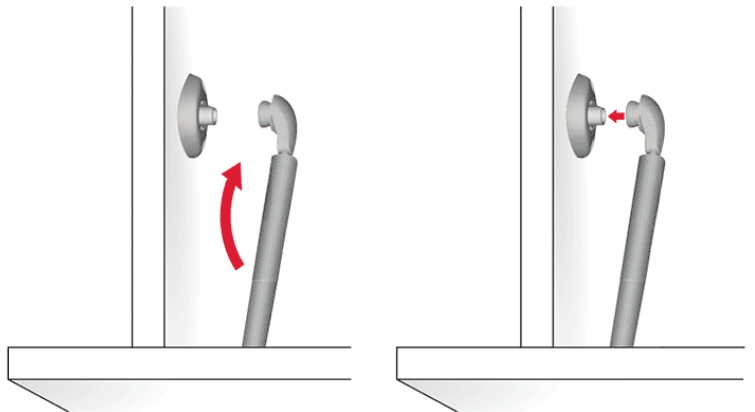
INSTALLATION

recommended fixing countersunk head wood screws $\varnothing 3,5 \times 16$ mm or Euro thread screws

* Central fixing screw is optional: it can be useful to define the correct positioning of the side bracket.

VERY IMPORTANT

The side bracket has to be placed with the slot in horizontal position and the open end facing the wall.



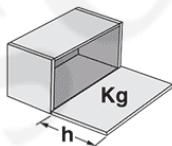
DROP DOWN



ZAnk EP ST = 100 pcs.

L		
164	42501010UZ	
244	42510010UZ	
355	42530010UZ	

Number of stays chart - L 164 mm



Rev. 02

h	Door weight (Kg)					
	1	2	3	4	5	6
200 - 284	2 x Compact		3 x Compact		4 x Compact	

Number of stays chart - L 244 mm

Rev. 02

h	Door weight (Kg)												
	1	2	3	4	5	6	7	8	9	10	11	12	13
280 - 324	2 x Compact						3 x Compact					4 x Compact	
325 - 424	2 x Compact						3 x Compact					4 x Compact	
425 - 500	2 x Compact						3 x Compact					4 x Compact	

Number of stays chart - L 355 mm

Rev. 02

h	Door weight (Kg)												
	1	2	3	4	5	6	7	8	9	10	11	12	13
380 - 500	2 x Compact										3 x Compact		
501 - 600	2 x Compact								3 x Compact				

These are experimental results to be checked by the customer. In accordance with the actual European regulation, we suggest to use at least two stays for each door. Our technical department is at your disposal to test further cases out of this chart.



DROP DOWN DRILLING PLANS WITH KIMANA HINGE

COMPACT CONFIGURATOR:



L 164 mm

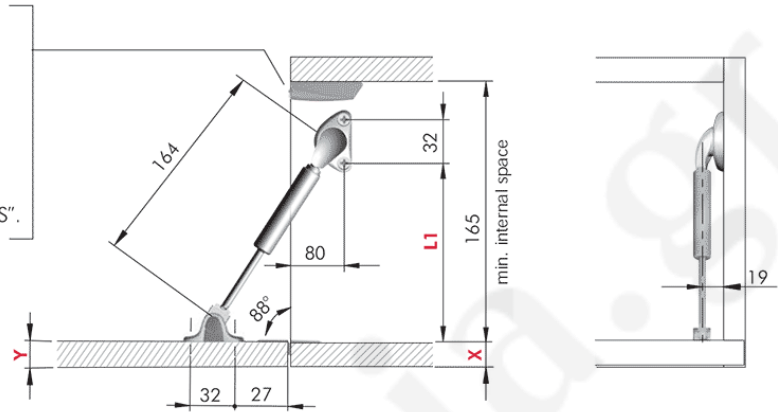


Magnet K Lock
visible or invisible



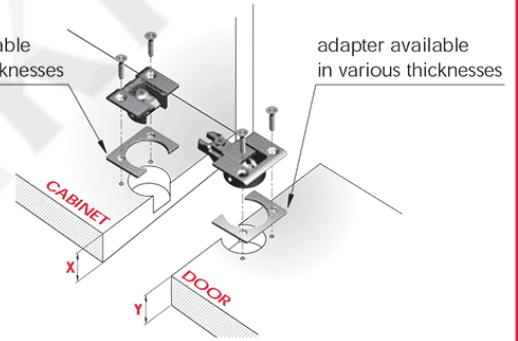
K Push Tech 20 mm
- With magnet
- Visible or invisible

For details refer to section
"PUSH CATCHES & MAGNETIC CATCHES".



Cabinet (X)		Door (Y)		L1
16 mm	4 mm	16 mm	2 mm	117
16 mm	4 mm	19 mm	-	119
18 mm	2 mm	18 mm	-	117
19 mm	-	16 mm	2 mm	113
19 mm	-	19 mm	-	115
20 mm	-	20 mm	-	115

adapter available
in various thicknesses



adapter available
in various thicknesses

For Kimana and adapter details refer to section "HINGES".

L 244 mm

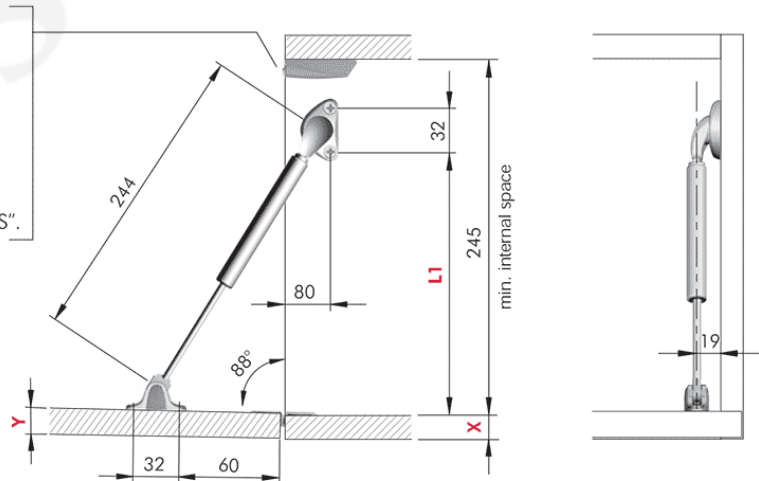


Magnet K Lock
visible or invisible



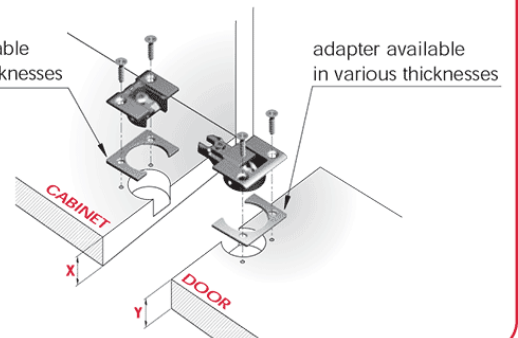
K Push Tech 20 mm
- With magnet
- Visible or invisible

For details refer to section
"PUSH CATCHES & MAGNETIC CATCHES".



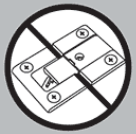
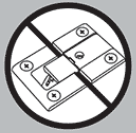
Cabinet (X)		Door (Y)		L1
16 mm	4 mm	16 mm	2 mm	197
16 mm	4 mm	19 mm	-	199
18 mm	2 mm	18 mm	-	197
19 mm	-	16 mm	2 mm	193
19 mm	-	19 mm	-	195
20 mm	-	20 mm	-	195

adapter available
in various thicknesses



adapter available
in various thicknesses

For Kimana and adapter details refer to section "HINGES".

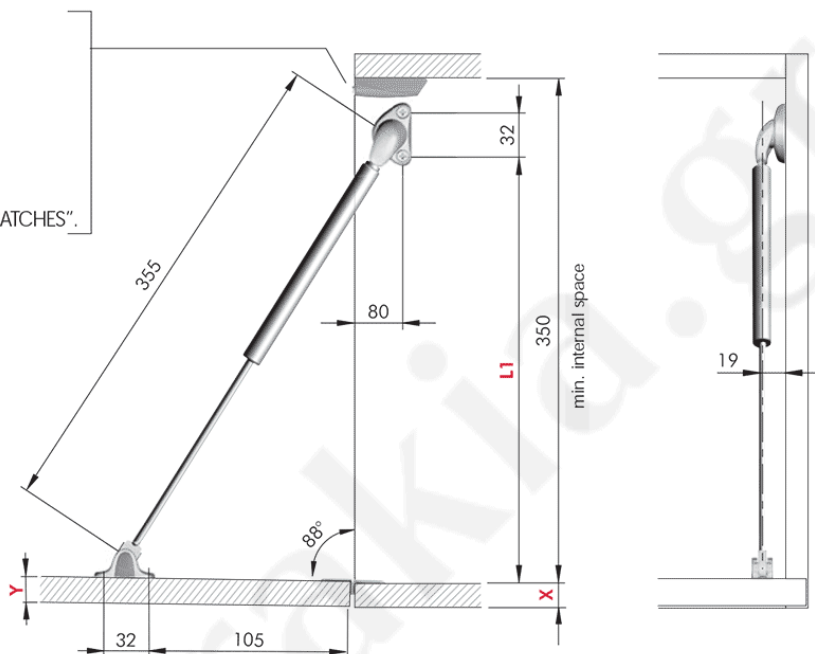


L 355 mm

 Magnet K Lock
visible or invisible

 K Push Tech 20 mm
- With magnet
- Visible or invisible

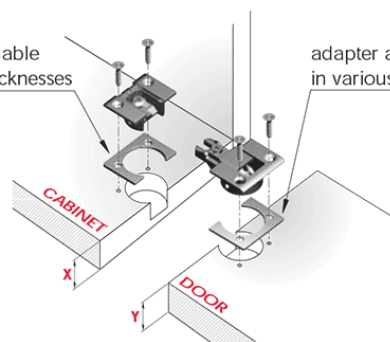
For details refer to section
"PUSH CATCHES & MAGNETIC CATCHES".



Cabinet (X)		Door (Y)		L1
16 mm	4 mm	16 mm	2 mm	302
16 mm	4 mm	19 mm	-	304
18 mm	2 mm	18 mm	-	302
19 mm	-	16 mm	2 mm	298
19 mm	-	19 mm	-	300
20 mm	-	20 mm	-	300

adapter available
in various thicknesses

adapter available
in various thicknesses

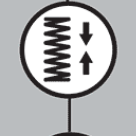
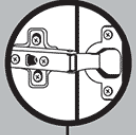


For Kimana and adapter details refer to section "HINGES".

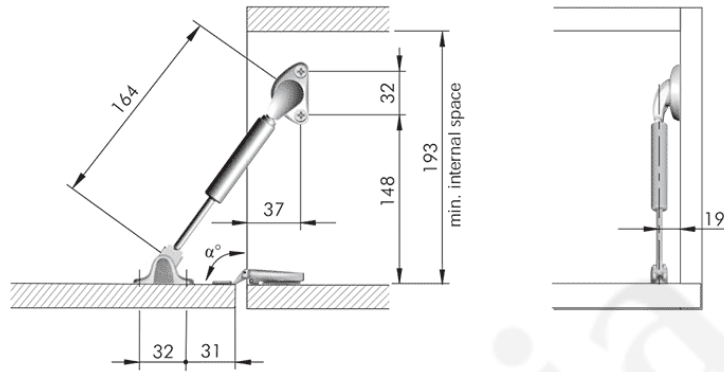


DROP DOWN DRILLING PLANS WITH STANDARD HINGES OPENING WITH HANDLE

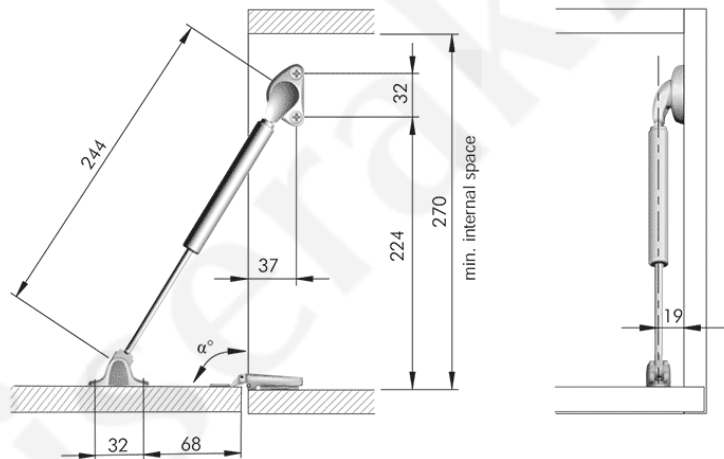
COMPACT CONFIGURATOR:



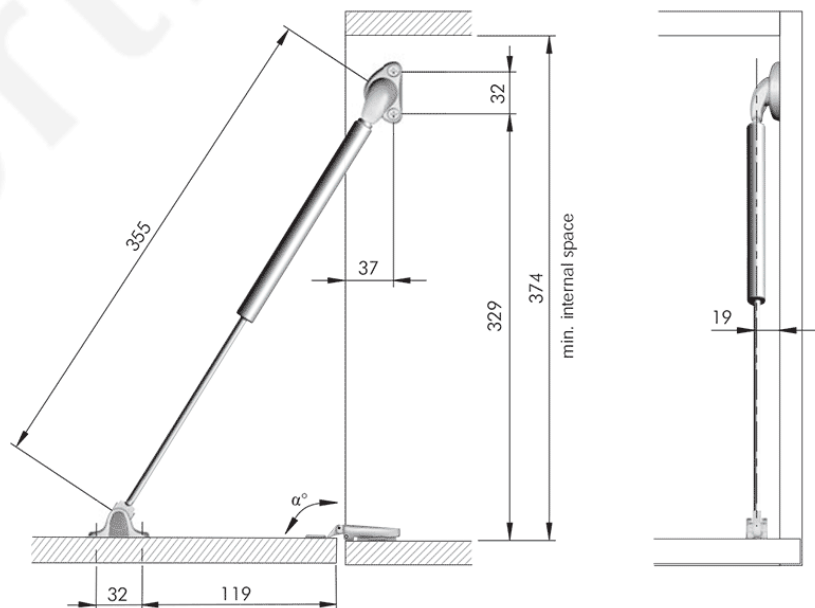
L 164 mm



L 244 mm



L 355 mm



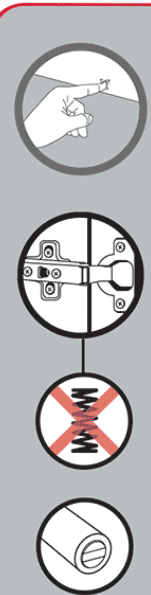
The dimensions of the drilling plans refer to carcasses which use *standard sprung hinges* and mounting plates 0 mm. Please note that the α° opening angle shown data is purely indicative. It varies with respect to the hinge brand and adjustment carried out.



Please note that in case of use of *unsprung hinges*, magnet **K Lock** is required. For details refer to section "PUSH CATCHES & MAGNETIC CATCHES".

DROP DOWN DRILLING PLANS WITH STANDARD HINGES PUSH TO OPEN

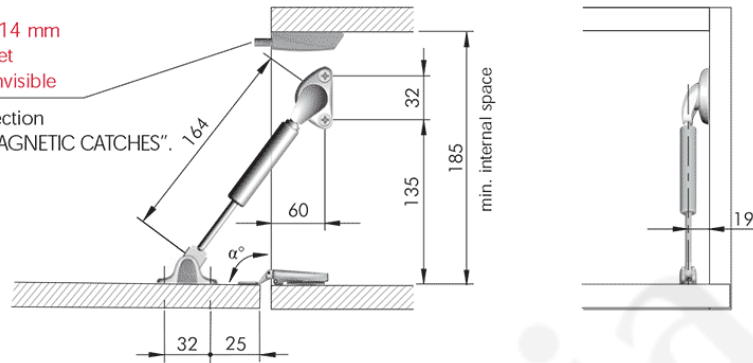
COMPACT CONFIGURATOR:



L 164 mm

K Push Tech 14 mm
- With magnet
- Visible or invisible

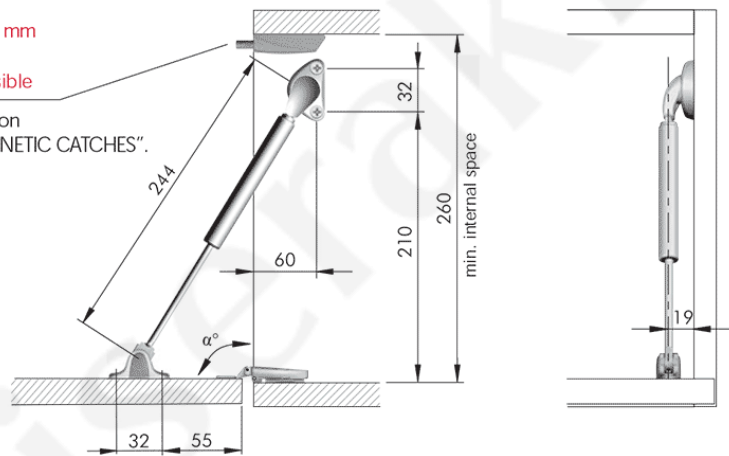
For details refer to section "PUSH CATCHES & MAGNETIC CATCHES".



L 244 mm

K Push Tech 14 mm
- With magnet
- Visible or invisible

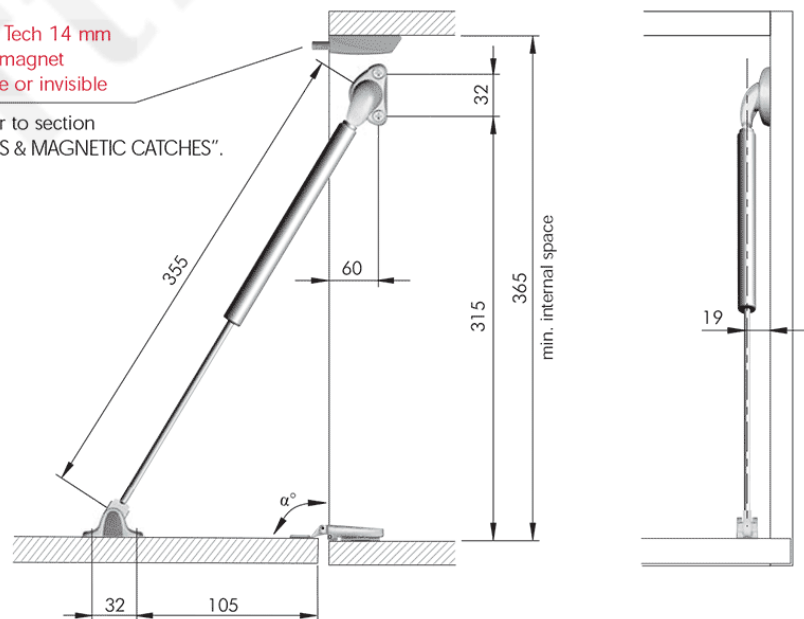
For details refer to section "PUSH CATCHES & MAGNETIC CATCHES".



L 355 mm

K Push Tech 14 mm
- With magnet
- Visible or invisible

For details refer to section "PUSH CATCHES & MAGNETIC CATCHES".



The dimensions of the drilling plan refer to carcasses which use **standard unsprung hinges** and mounting plates 0 mm. Please note that the α° opening angle shown data is purely indicative. It varies with respect to the hinge brand and adjustment carried out.

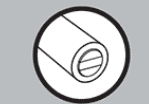
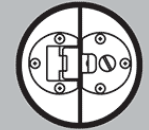
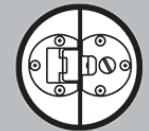


Please note that utilization with **standard sprung hinges** and **K Push Tech with buffer** is also possible. In such case, after the door is initially released by K Push Tech, a manual opening approx. 7cm is required (in order to win the spring resistance). Consequently, the door will automatically open to the fullest. For details refer to section "PUSH CATCHES & MAGNETIC CATCHES".



DROP DOWN DRILLING PLANS WITH FLAP HINGE

COMPACT CONFIGURATOR:



L 164 mm

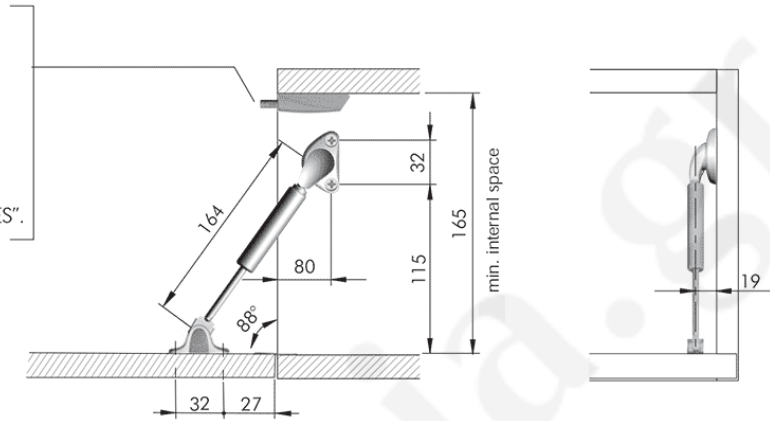


Magnet K Lock
visible or invisible



K Push Tech 20 mm
- With magnet
- Visible or invisible

For details refer to section
"PUSH CATCHES & MAGNETIC CATCHES".



L 244 mm

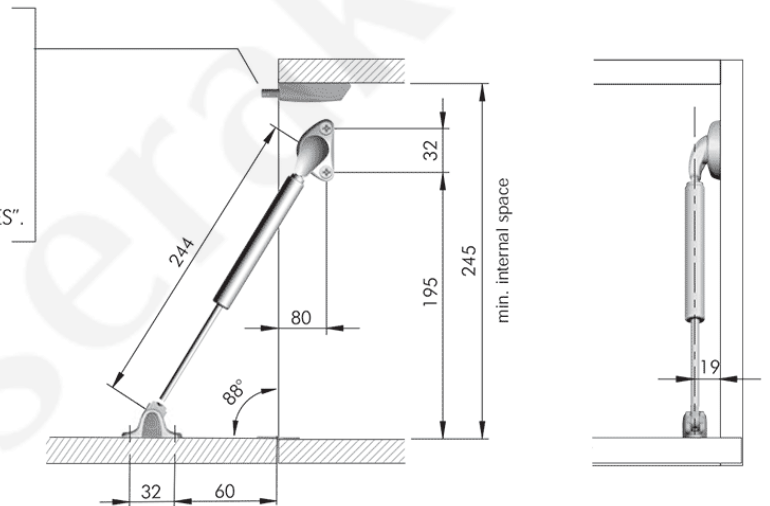


Magnet K Lock
visible or invisible



K Push Tech 20 mm
- With magnet
- Visible or invisible

For details refer to section
"PUSH CATCHES & MAGNETIC CATCHES".



L 355 mm



Magnet K Lock
visible or invisible



K Push Tech 20 mm
- With magnet
- Visible or invisible

For details refer to section
"PUSH CATCHES & MAGNETIC CATCHES".

